

2 x Wall Mount with corner piece for Era 100

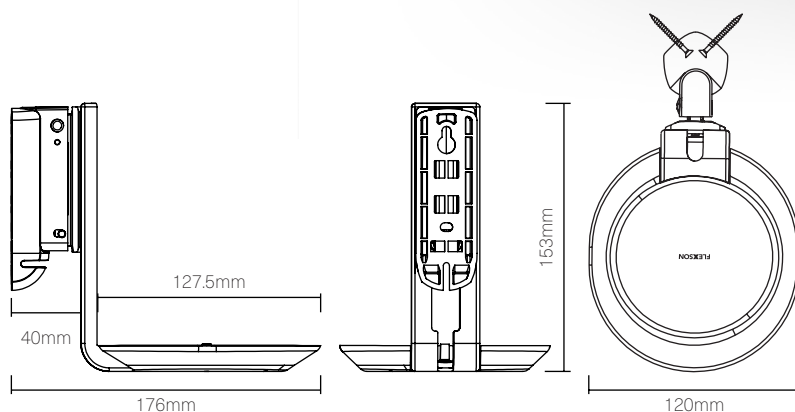


White option available

This pair of Flexson Wall Mounts are built to hold your Sonos Era 100 speakers at the ideal listening height and position, thanks to the unique tilting mechanism that allows for easy movement of your speaker into the perfect angle and now with corner mount adapter plate.

This pair of Flexson Wall Mounts for the Sonos Era 100 blend discreetly and stylishly in any environment, with a clever design that hides cable entry while keeping your speaker secure. Like all Flexson products, this pair of Wall Mounts for the Sonos Era 100 are precision engineered, and quick and easy to assemble.

- Two mounts included to hold two Sonos speakers
- Quick and easy assembly
- Designed to colour match your Sonos speakers
- Crafted specifically to support the Sonos Era 100 speaker
- Can be inverted to hold the speaker upside down
- Unique tilting mechanism and 80° swivel
- Precision engineered for quality
- Fixing hardware included for brick/masonry and brick/studwork



	White		Black	
Product Code	FLXE100WM2011		FLXE100WM2021	
EAN-13 Barcode	5057964002682		5057964002699	
UK, European and US (SRP)	£59.99	€69.99	\$69.99	
Product Specifications	Height	Width	Depth	Weight
Product Size (mm)	153mm	120mm	176mm	
Carton Dimensions (mm)	192mm	173mm	44mm	1.1kg
Carton Contents	2 x mount, 1 x instructions, 2 x fixings			
Country of Manufacture	China	Outer Carton Quantity	10	