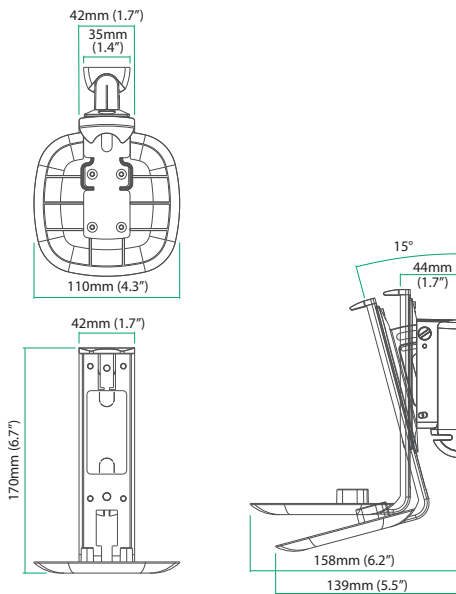


Wall Mount For Sonos One S1-WM (Single) S1-WMX2 (Pair)

Flexson's bespoke bracket for the Sonos One allows you to wall mount your speaker in the ideal place to sound - and look - great. This brand new design gives you yet more flexibility and functionality.

- Bespoke wall mount for Sonos One speaker
- Base seamlessly fits the speaker, holding it securely wherever you want to wall mount it
- Has a unique tilting mechanism (down 15°) plus can swivel up to 80° (40° left, 40° right), so you can perfectly angle your Sonos One
- Can be inverted to securely hold the Sonos One upside down
- – so its gesture controls and microphone are easily accessible if mounting higher up the wall
- Precision engineered. Quick and easy to fit and adjust
- Available in black or white to perfectly match the Sonos One
- Fixing hardware included for Brick/Masonry or Wood/Studwork
- Designed in the UK



	White:	Black:	
S1-WM Single Product Code	FLXS1WM1011	FLXS1WM1021	
Single UPC Number	652508362328	652508362335	
S1-WMX2 Pair Product Code	FLXS1WM2011	FLXS1WM2021	
Pair UPC Number	652508362342	652508362359	
S1-WM Carton Dimensions (WxHxD): 115mm x 166mm x 178mm (4.5" x 6.5" x 7")			
S1-WMX2 Carton Dimensions (WxHxD): 115mm x 166mm x 178mm (4.5" x 6.5" x 7")			
S1-WM Single Carton Weight: 0.496Kg (1.09lbs)			
S1-WMX2 Pair Carton Weight: 0.882kg (1.94lbs)			
Carton Contents			
P1-WM 1 x Wall mount, Wall fixings, 1 x Instructions			
P1-WMX2 2 x Wall mount, Wall fixings, 1 x Instructions			
Outer Carton Quantity: x 4			
S1-WM Single UK, European & US (SRP)	£29.99	€34.99	\$44.99
S1-WMX2 Pair UK, European & US (SRP)	£54.99	€64.99	\$79.99